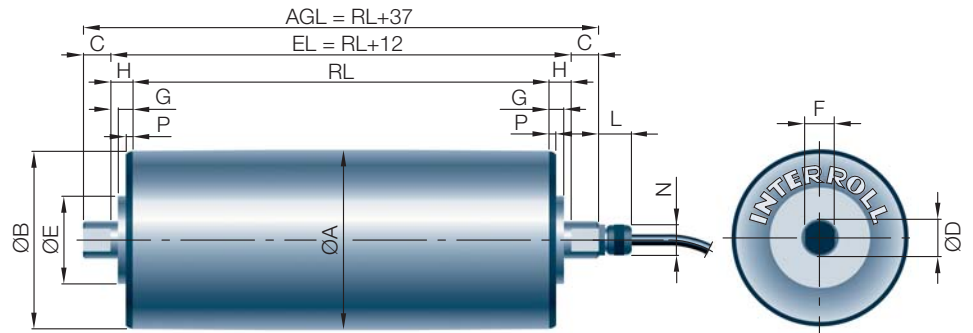


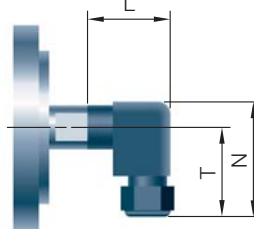


## Interroll Drum Motor 80i

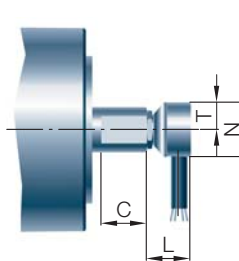
### Drum motor standard with straight cable connector



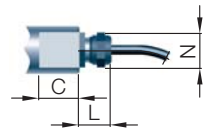
### Elbow cable connector



### Elbow stainless steel cable connector

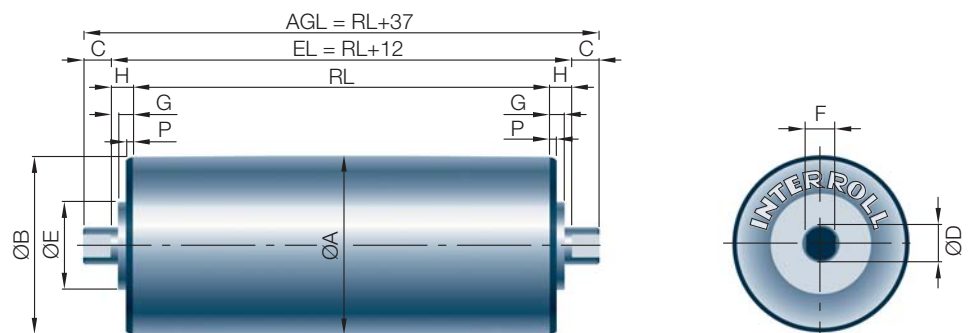


### Straight cable connector



Drum motor shaft cap version straight cable connector or terminal box is available as an option

## Idler Pulley 80i



Type / Option	Standard measurements															
	A	B	C	D	E	F	G	H	K	L	M	N	P	T	EL	AGL
	mm	mm	mm	mm	mm	mm	mm	mm	mm	mm	mm	mm	mm	mm	mm	mm
80i Standard/TS	81.5	80.5	12.5	17	40	13.5	3.5	6					1.5		RL+12	RL+37
80i cylindrical	81															
Elbow connector stainless steel										24	6.5	30		15		
Elbow cable connector			12.5							33		45		35		
Straight connector			12.5							17		16				
Idler Pulley	81.5	80.5	12.5	17	40	13.5	3.5	6							RL+12	RL+37