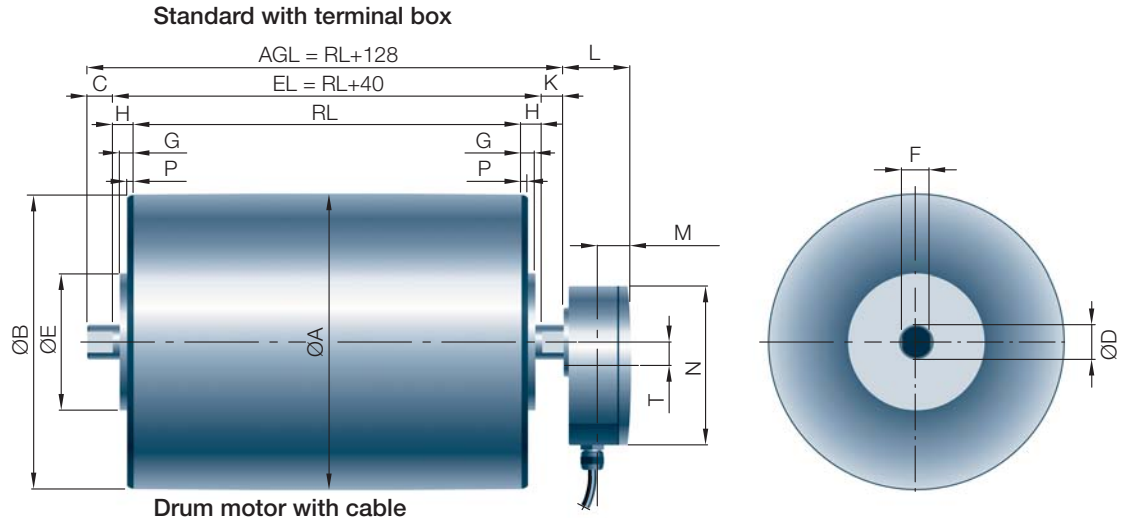
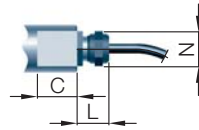




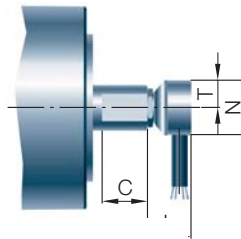
Interroll Drum Motor 216i



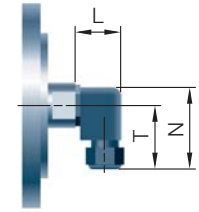
**Straight
connector**



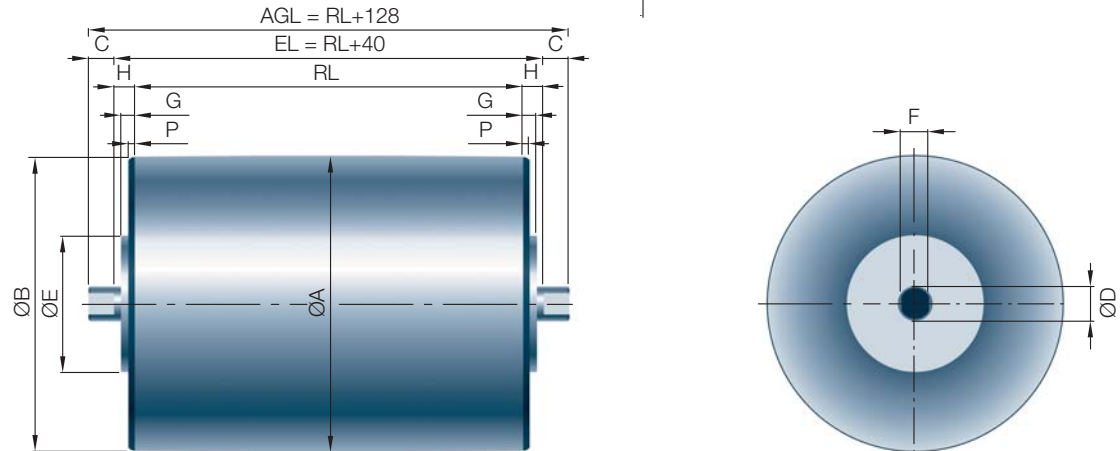
**Stainless elbow
connector**



**Elbow cable
connector**



Idler Pulley 216i



Type / Option	Standard measurements															
	A	B	C	D	E	F	G	H	K	L	M	N	P	T	EL	AGL
	mm	mm	mm	mm	mm	mm	mm	mm	mm	mm	mm	mm	mm	mm	mm	mm
216i Terminal box	217.5	215.5	45	40	120	30	8.5	20	43					1.5	RL+40	RL+128
216i cylindrical	215.5															
Straight connector										20		22				
Elbow cable connector										22.5		45		35		
Stainless elbow connector										24	6.5	30		15		
Terminal box									43	41	24	95		14		
Idler Pulley	217.5	215.5	45	40	120	30	8.5	20							RL+40	RL+130