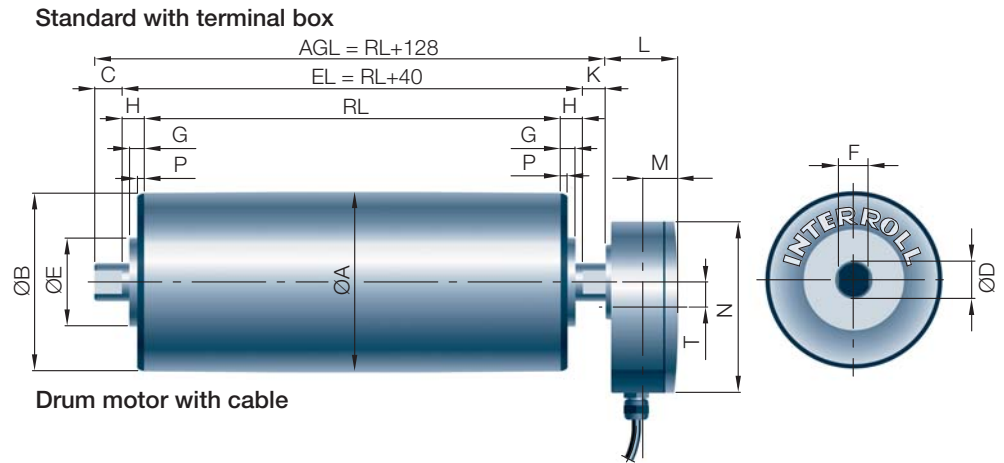
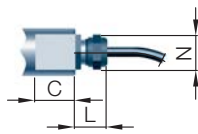




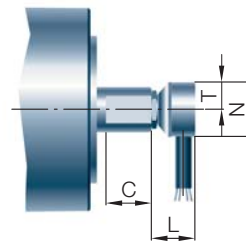
Interroll Drum Motor 165i



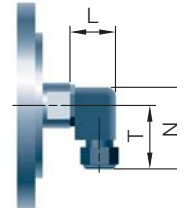
Cable straight connector



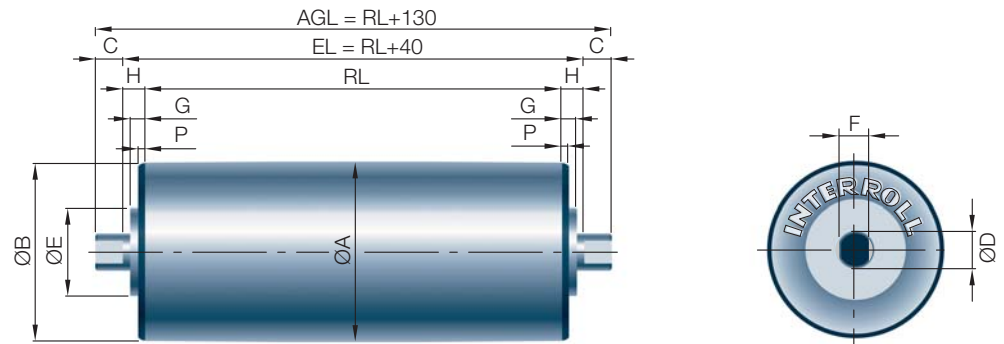
Cable stainless elbow connector



Elbow cable connector



Idler Pulley 165i



Type / Option	Standard measurements															
	A mm	B mm	C mm	D mm	E mm	F mm	G mm	H mm	K mm	L mm	M mm	N mm	P mm	T mm	EL mm	AGL mm
165i standard	164	162	45	40	130	30	8.5	20	43				1.5		RL+40	RL+128
165i cylindrical	162															
Straight connector										20		22				
Elbow cable connector										22.5		45		35		
Stainless elbow connector										24	6.5	30		15		
Terminal box									43	41	24	95		14		
Idler Pulley	164	162	45	40	130	30	8.5	20							RL+40	RL+130