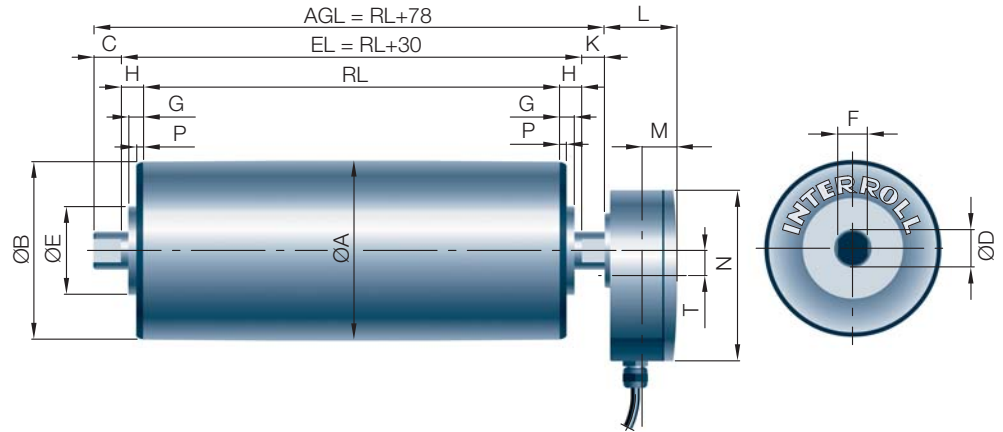


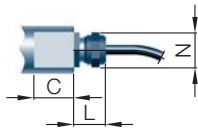


Interroll Drum Motor 138i

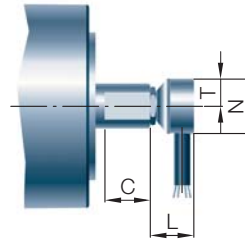
Drum motor with terminal box



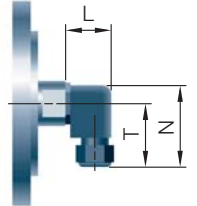
Cable straight connector



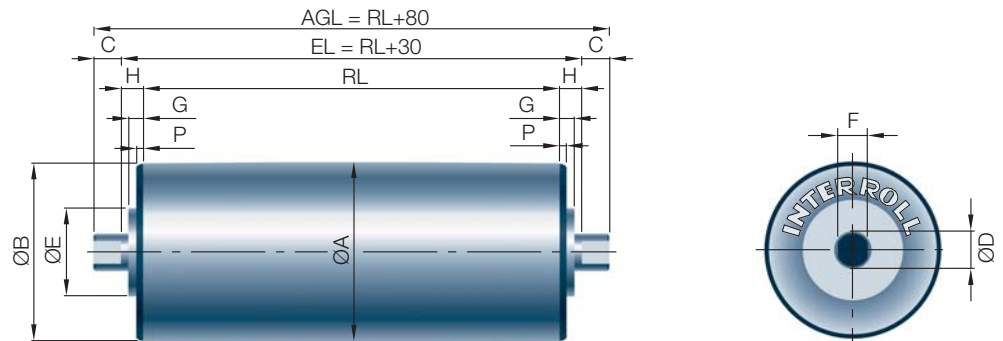
Cable stainless elbow connector



Cable elbow connector



Idler Pulley 138i



Type / Option	Standard measurements															
	A mm	B mm	C mm	D mm	E mm	F mm	G mm	H mm	K mm	L mm	M mm	N mm	P mm	T mm	EL mm	AGL mm
138i standard	138	136	25	30	100	20	6.5	15	23				1.5		RL+30	RL+78
138i cylindrical	136															
Straight connector										20		22				
Elbow cable connector										22.5		45		35		
Stainless elbow connector										24	6.5	30		15		
Terminal box									23	41	24	95		14		
Idler pulley	138	136	25	30	100	20	6.5	15							RL+30	RL+80