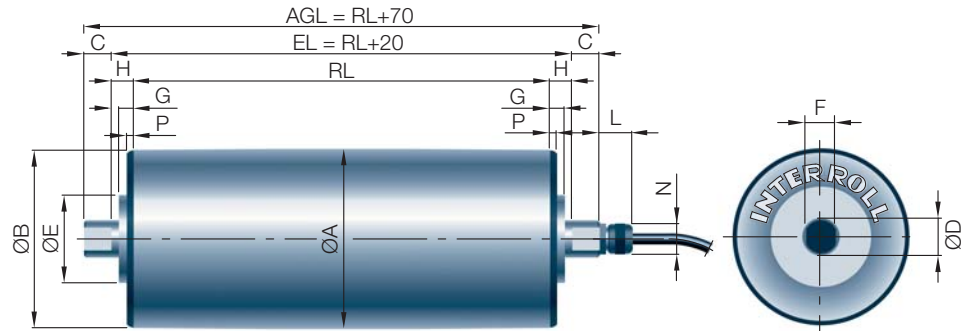


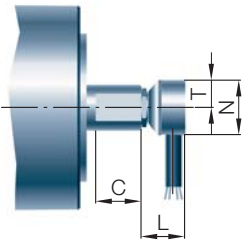


Interroll Drum Motor 113i

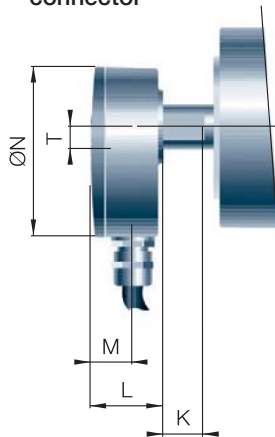
Drum motor standard with straight cable connector



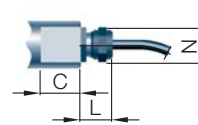
Elbow stainless steel cable connector



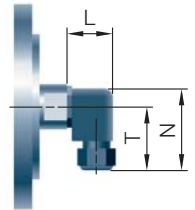
Terminal box connector



Straight cable connector

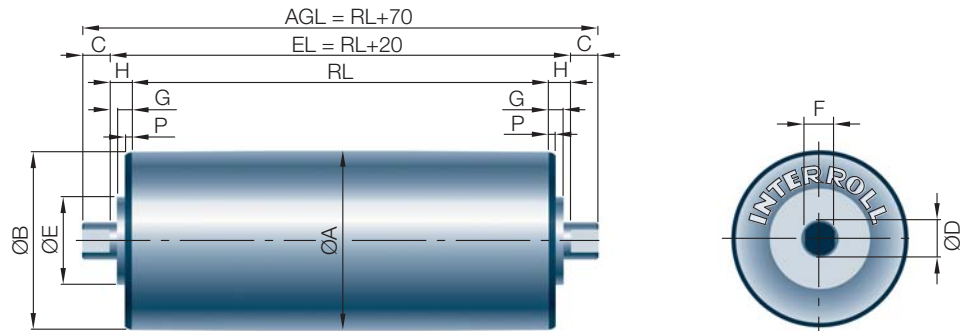


Elbow cable connector



Drum motor shaft cap version with straight cable connector or terminal box is available as a special option

Idler Pulley 113i



Type / Option	Standard measurements															
	A	B	C	D	E	G	F	H	K	L	M	N	P	T	EL	AGL
	mm	mm	mm	mm	mm	mm	mm	mm	mm	mm	mm	mm	mm	mm	mm	mm
113i standard	113.5	112	25	25	83	3.5	20	10					1.5		RL+20	RL+70
113i cylindrical	113															
Terminal box									23	41	24	95		14		
Elbow cable connector										22.5		45		35		
Elbow connector stainless steel										24	6.5	30		15		
Straight connector										20		22				
Idler Pulley	113.5	112	25	25	83	3.5	20	10							RL+20	RL+70